

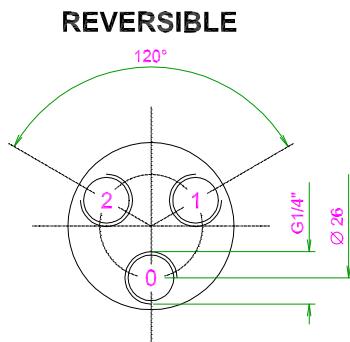
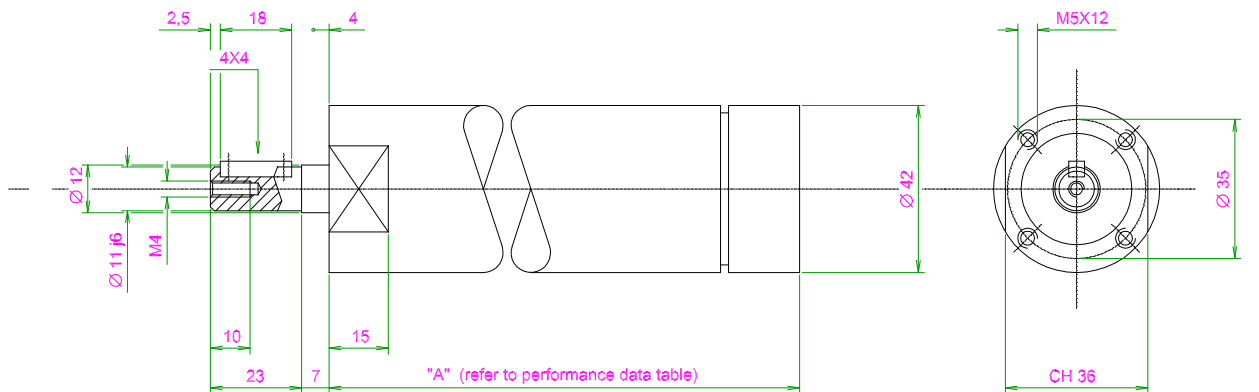


CE II 2 GD c IIB 95°C X

Declaration of Incorporation

standard motor (round shaft)		shaft with 3/8" square drive		Max. Power		Speed @		Torque @		Length (A)	Weight
Part no.	CPN	Part no.	CPN	HP	kW	max. torque rpm	no load rpm	start Nm	stall Nm	mm	kg
<b>Reversible motors</b>											
728RVR007BRM	92469741	----	----	0,44	0,32	1000	2000	4,5	6	118	0,9
728RVR017BRM	49828809	----	----	0,44	0,32	400	800	11,4	15,2	135	1,0
728RVR031BRM	92994136	----	----	0,44	0,32	225	450	21	28	135	1,0
728RVR077BRM	92466994	----	----	0,44	0,32	90	180	51	68 <sup>1)</sup>	157	1,2
728RVR103BRM	92466952	728RVR103BRM-T3	17022757	0,44	0,32	68	135	67 <sup>1)</sup>	90 <sup>1)</sup>	175	1,2
728RVR254BRM	92466960	728RVR254BRM-T3	17022740	0,44	0,32	27	55	170 <sup>1)</sup>	230 <sup>1)</sup>	175	1,3
728RVR350BRM	92466978	----	----	0,44	0,32	20	40	200 <sup>1)</sup>	260 <sup>1)</sup>	175	1,3

<sup>1)</sup> – 728 series motors shall not be used with torque exceeding 60 Nm. Torques marked in yellow are given only for indication. Standard motors are supplied with  $\varnothing 11$  mm keyed shaft. Other options and other speed version on request. Performance figures are at 620 kPa air pressure. Air consumption: 7,4 L/s.



- 0 - EXHAUST
- 1 - Air inlet right hand rotation
- 2 - Air inlet left hand rotation

