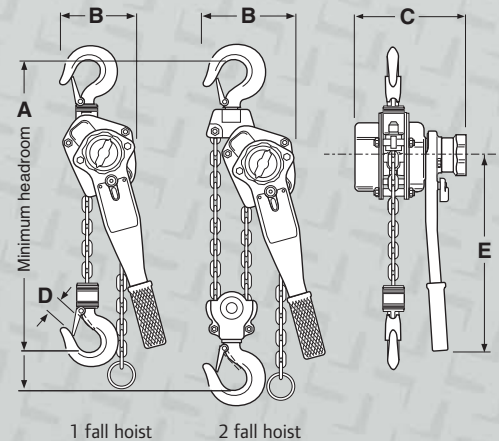


# Manual Lever Hoists

## L5H Premium Lever Hoist - Heavy duty, high performance

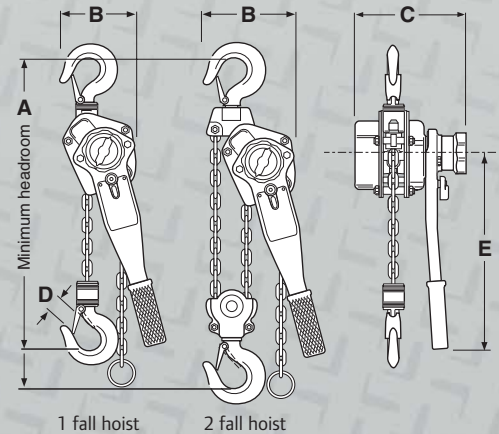
- Torsion-Lok™ brake system ensures positive brake engagement.
- 360° rotation handle needs only 15° handle movement to ratchet loads. A big plus in tight spaces.
- Rugged steel construction.
- Colour coded red/green indicator (load or free chain).
- Simple one-hand free chaining operation.



Model number	Nominal load capacity (ton)	Pull to lift rated load (kg)	Number of falls	Height of lift (m)	Weight with 1.5 m lift (kg)	Chain weight/1m extra lift (kg)	DIMENSIONS				
							A min. (mm)	B (mm)	C (mm)	D (mm)	E (mm)
L5H150	0.75	15.9	1	1.5 to 6	6.8	0.86	311	127	152	31	257
L5H300	1.5	18.2	1	1.5 to 6	9.5	1.13	349	147	168	38	368
L5H600	3.0	33.2	1	1.5 to 6	15.4	1.80	425	180	200	47	368
L5H1200	6.0	35.0	2	1.5 to 6	28.2	3.60	565	241	200	51	368

## SLB Industrial Lever Hoist - High performance and durable

- Automatic inertia brake – Engages if load is applied in free-chain mode, helping minimise operator setup error.
- Stamped steel construction for decreased weight and better impact resistance.
- Nickel/chrome plated for improved corrosion resistance.
- Efficient gear reduction for low handle effort.
- Easy one-handed operation for free chain positioning.



Model number	Nominal load capacity (ton)	Pull to lift rated load (kg)	Number of falls	Height of lift (m)	Weight with 1.5 m lift (kg)	Chain weight/1m extra lift (kg)	DIMENSIONS				
							A min. (mm)	B (mm)	C (mm)	D (mm)	E (mm)
SLB150	0.75	18.5	1	1.5 to 6	7.0	0.79	330	132	158	29	307
SLB200	1.0	27.0	1	1.5 to 6	7.0	0.79	366	140	163	32	307
SLB300	1.5	24.0	1	1.5 to 6	11.0	1.13	400	145	186	35	378
SLB600	3.0	24.0	1	1.5 to 6	20.0	2.20	521	198	213	44	419
SLB1200	6.0	26.0	2	1.5 to 6	30.4	4.40	640	231	213	50	419

**How to order SLB or L5H Hoists** – Please specify complete model as shown.

Series	Capacity	Height of lift (in feet)	Options	EC compliance
L5H	150 750 kg 200 1000 kg (SLB Series only)	5 5 ft (1.5 m) 10 10 ft (3 m)	V Overload protection (available on L5H only) N Corrosion resistant chain, nickel diffused (available on L5H only)	E Compliance with the European Machinery Directive
SLB	300 1500 kg 600 3000 kg 1200 6000 kg (L5H Series only)	15 15 ft (4.5 m) 20 20 ft (6 m)		

# Manual Hand Chain Hoists

## VL2 Premium Hand Chain Hoist - Heavy duty, high performance

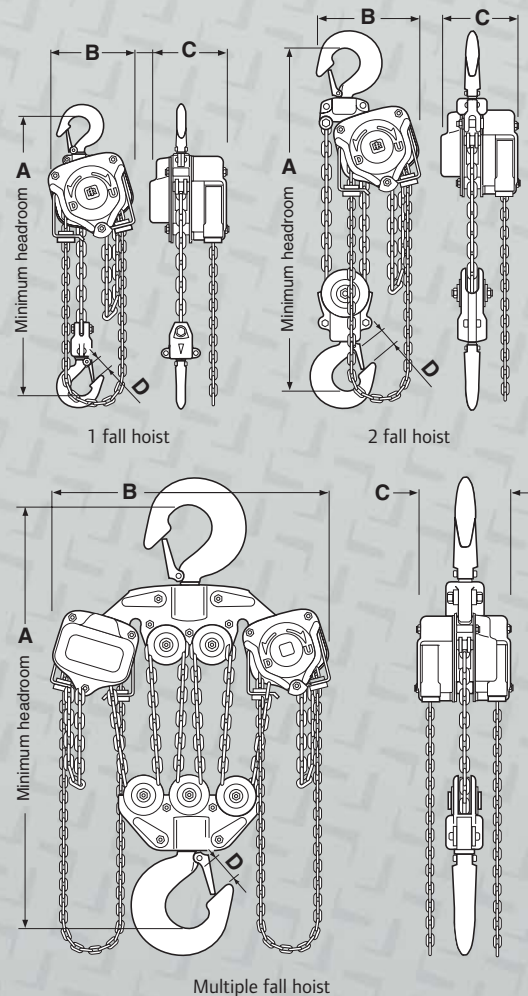
- Best in class hoists, built to be durable.
- High strength gear case and steel frame.
- Exclusive hand chain guide for smooth operation – Helps eliminate jamming when operated away from the load area. Ideal for "pick and drift" applications.
- Efficient gear reduction for easier lifting.
- Open frame design for self-cleaning, quick load sheave inspection and easy hoist maintenance.
- Premium alloy steel grade 100 load chain.
- Overload protection as standard.



VL2 hand chain guides.



VL2-020



## Specifications

Model number	Nominal load capacity (ton)	Pull to lift rated load (kg)	Number of falls	Height of lift (m)	Weight with 3 m lift (kg)	Chain weight/ 1m extra lift (kg)	DIMENSIONS				
							Dwg. Type	A min. (mm)	B (mm)	C (mm)	D (mm)
VL2-005	0.5	25.0	1	3 to 6	9.1	0.53	1	305	144	127	31
VL2-010	1.0	33.2	1	3 to 6	16.4	0.85	1	346	157	148	34
VL2-015	1.5	33.6	1	3 to 6	20.4	1.10	1	371	175	148	38
VL2-020	2.0	34.5	1	3 to 6	22.7	1.40	1	425	203	179	41
VL2-030	3.0	34.5	2	3 to 6	23.6	2.20	2	505	206	148	47
VL2-050	5.0	38.6	2	3 to 6	42.6	3.55	2	635	264	179	51
VL2-080	8.0	40.9	3	3 to 6	68.3	5.30	2	740	346	179	71
VL2-100	10.0	40.9	4	3 to 6	85.5	7.10	2	760	367	179	71
VL2-150	15.0	2 x 41	6	3 to 6	179.5	10.70	3	851	746	208	90
VL2-200	20.0	2 x 41	8	3 to 6	220.4	14.20	3	870	873	208	90

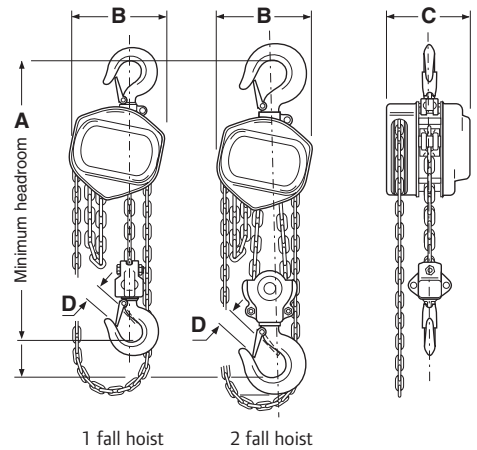
## How to order VL2 Hoists

Please specify complete model code as shown.

Series	Capacity	Spark resistance	Height of lift	Hand chain length	Options	EC compliance
VL2	<b>005</b> 0.5 ton <b>050</b> 5 tons <b>010</b> 1 ton <b>080</b> 8 tons <b>015</b> 1.5 ton <b>100</b> 10 tons <b>020</b> 2 tons <b>150</b> 15 tons <b>030</b> 3 tons <b>200</b> 20 tons	- Standard <b>CP</b> Copper plated <b>SB</b> Solid bronze	<b>10</b> 10 ft (3 m) <b>15</b> 15 ft (4.5 m) <b>20</b> 20 ft (6 m) XX Specify length	<b>8V</b> 8 ft (2.4 m) XXV Specify length	<b>N</b> Corrosion & spark resistant load chain <b>H</b> Corrosion & spark resistant hand chain <b>P</b> Marine paint <b>S</b> Fabric chain bucket	<b>E</b> Compliance with the European Machinery Directive

## SLB Hand Chain Hoist - High performance and durable

- Stamped steel construction for decreased weight and better impact resistance.
- Nickel/chrome plated for improved corrosion resistance.
- Efficient gear reduction for easier lifting.
- Zinc plated hand chain as standard.
- Standard overload protection to reduce abuse and increase safety.



### Specifications

Model number	Nominal load capacity (ton)	Pull to lift rated load (kg)	Number of falls	Height of lift (m)	Weight with 3 m lift (kg)	Chain weight/ 1m extra lift (kg)	DIMENSIONS			
							A min. (mm)	B (mm)	C (mm)	D (mm)
<b>SMB005</b>	<b>0.5</b>	25	<b>1</b>	3 to 6	10.7	0.53	325	131	137	28
<b>SMB010</b>	<b>1.0</b>	29	<b>1</b>	3 to 6	12.2	0.80	350	151	153	30
<b>SMB020</b>	<b>2.0</b>	35	<b>1</b>	3 to 6	19.3	1.40	463	192	176	38
<b>SMB030</b>	<b>3.0</b>	45	<b>1</b>	3 to 6	32.0	2.20	530	238	204	45
<b>SMB050</b>	<b>5.0</b>	38	<b>2</b>	3 to 6	41.0	3.55	710	285	188	55

### How to order SMB Hoists

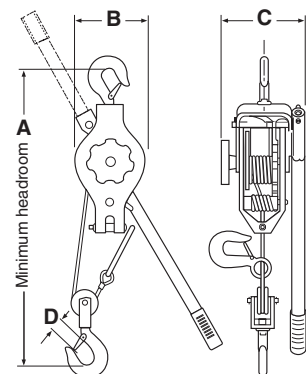
Please specify complete model code as shown.

Series	Capacity		Height of lift (in feet)		Hand chain length	Options
<b>SMB</b>	<b>005</b> 0.5 ton <b>010</b> 1 ton	<b>020</b> 2 tons <b>030</b> 6000 kg	<b>10</b> 10 ft (3 m) <b>15</b> 15 ft (4.5 m)	<b>20</b> 20 ft (6 m) <b>XX</b> Specify length	<b>8V</b> 8 ft (2.4 m) <b>XXV</b> Specify length	<b>N</b> Corrosion & spark resistant load chain

## Ratchet Pullers

### P & C Ratchet Pullers

- 4:1 design factor for pulling applications.
- All models (except P15H) can be used in one or two falls configuration.
- Galvanised wire rope. C400S is fitted with non-conductive synthetic strap.
- **P15 Series:** all steel construction, plated for long life.
- **C400 Series:** lightweight aluminium design. Reversible handle for easy position changes.



### Specifications

Model number	Nominal load capacity (kg)	Pull to lift rated load (kg)	Number of falls	Pulling distance (m)	Cable diameter (mm)	Net weight (kg)	DIMENSIONS			
							A min. (mm)	B (mm)	C (mm)	D (mm)
<b>P15H</b>	<b>450</b>	45	<b>1</b>	4.6	4.8	3.9	457	114	89	19
<b>P15D3H</b>	<b>450/900</b>	45 / 47	<b>1 or 2</b>	4.6 / 2.3	4.8	4.8	457 / 610	114	89	19
<b>C400H</b>	<b>770/1540</b>	26 / 28	<b>1 or 2</b>	6.0 / 3.0	6.3	7.3	432 / 559	127	178	22
<b>C400S</b>	<b>900 / 1800</b>	29 / 31	<b>1 or 2</b>	3.6 / 1.8	—	7.3	432 / 559	127	178	22

# Manual Trolleys

## PT & GT Trolleys - Durable plain and geared trolleys

- 5:1 design factor for use with manual or powered hoists.
- Strong and durable steel construction, includes drop stops.
- Cast iron wheels with sealed, lube for life ball bearings.
- Universal profile to fit IPN and IPE beams.



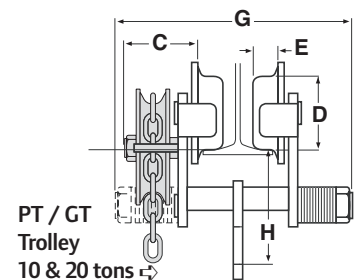
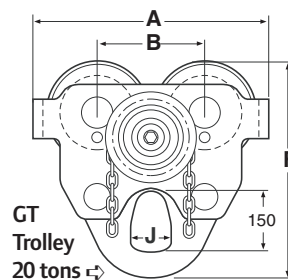
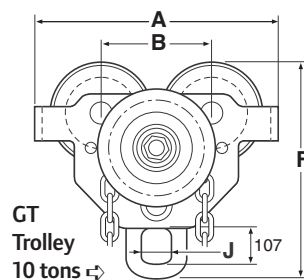
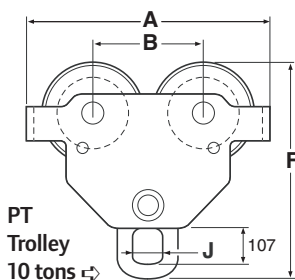
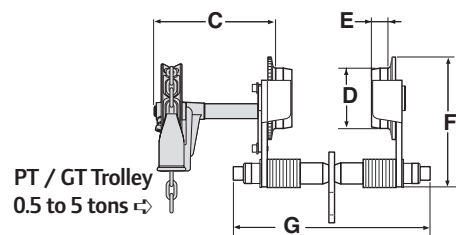
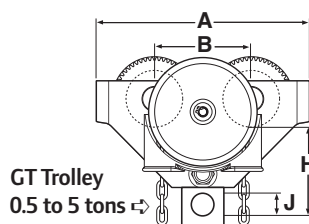
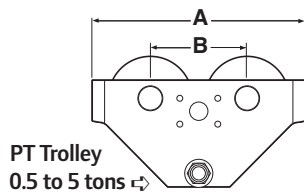
**PT Series plain trolleys:** Available from 0.5 to 10 ton capacity.



**GT Series geared trolleys:** Available from 1 to 20 ton capacity. Standard hand chain height 3m, or more on demand.

## Specifications

Model number PLAIN TROLLEYS	Model number GEARED TROLLEY	Nominal load capacity (ton)	Flange adjustment (mm)	Minimum beam height (mm)	Minimum curve radius (m)	Net weight	
						PLAIN TROLLEY (kg)	GEARED TROLLEY (kg)
<b>PT005-8</b>		<b>0.5</b>	67-203	102	0.92	8.9	—
<b>PT010-8</b>	<b>GT010-8-10</b>	<b>1</b>	76-203	127	0.92	13.9	19.8
<b>PT020-8</b>	<b>GT020-8-10</b>	<b>2</b>	84-203	153	1.22	27.4	33.3
<b>PT030-8</b>	<b>GT030-8-10</b>	<b>3</b>	100-203	178	1.07	33.2	39
<b>PT050-8</b>	<b>GT050-8-10</b>	<b>5</b>	118-203	203	1.53	50	56
<b>PT100-12</b>	<b>GT100-12-10</b>	<b>10</b>	178-305	254	2.10	93	103
	<b>GT200-12-10</b>	<b>20</b>	178-305	305	3.50	—	245



## Dimensions (mm)

Model number	A	B	C	D	E	F	G	H	J
<b>PT005-8</b>	254	114	—	53	19	169	311	149	40
<b>PT010-8</b>	330	132	—	70	19	176	327	151	40
<b>PT020-8</b>	380	172	—	108	29	190	350	154	40
<b>PT030-8</b>	356	162	—	115	29	218	359	200	65
<b>PT050-8</b>	394	180	—	115	40	249	397	207	65
<b>PT100-12</b>	455	200	—	151	51	490	528	300	82
<b>GT010-8-10</b>	330	132	230	70	19	176	327	151	40
<b>GT020-8-10</b>	380	172	228	108	29	190	350	154	40
<b>GT030-8-10</b>	356	162	237	115	29	218	359	200	65
<b>GT050-8-10</b>	394	180	247	115	40	249	397	207	65
<b>GT100-12-10</b>	455	200	—	151	51	490	528	300	82
<b>GT200-12-10</b>	642	300	—	200	66	622	572	266	110

## How to order PT or GT Trolleys

Please specify complete model code as shown.

**GT 030-8-10 SB**

Series	Capacity	Hand chain	Option
<b>PT</b> Plain	<b>005-8</b> 0.5 ton	<b>10</b> 10 ft (3 m standard length) XX Specify length	<b>SB</b> Bronze wheels
<b>GT</b> Geared	<b>010-8</b> 1 ton		
	<b>020-8</b> 2 tons		
	<b>030-8</b> 3 tons		
	<b>050-8</b> 5 tons		
	<b>100-12</b> 10 tons		
	<b>200-12</b> 20 tons		