

JUWEL side drive

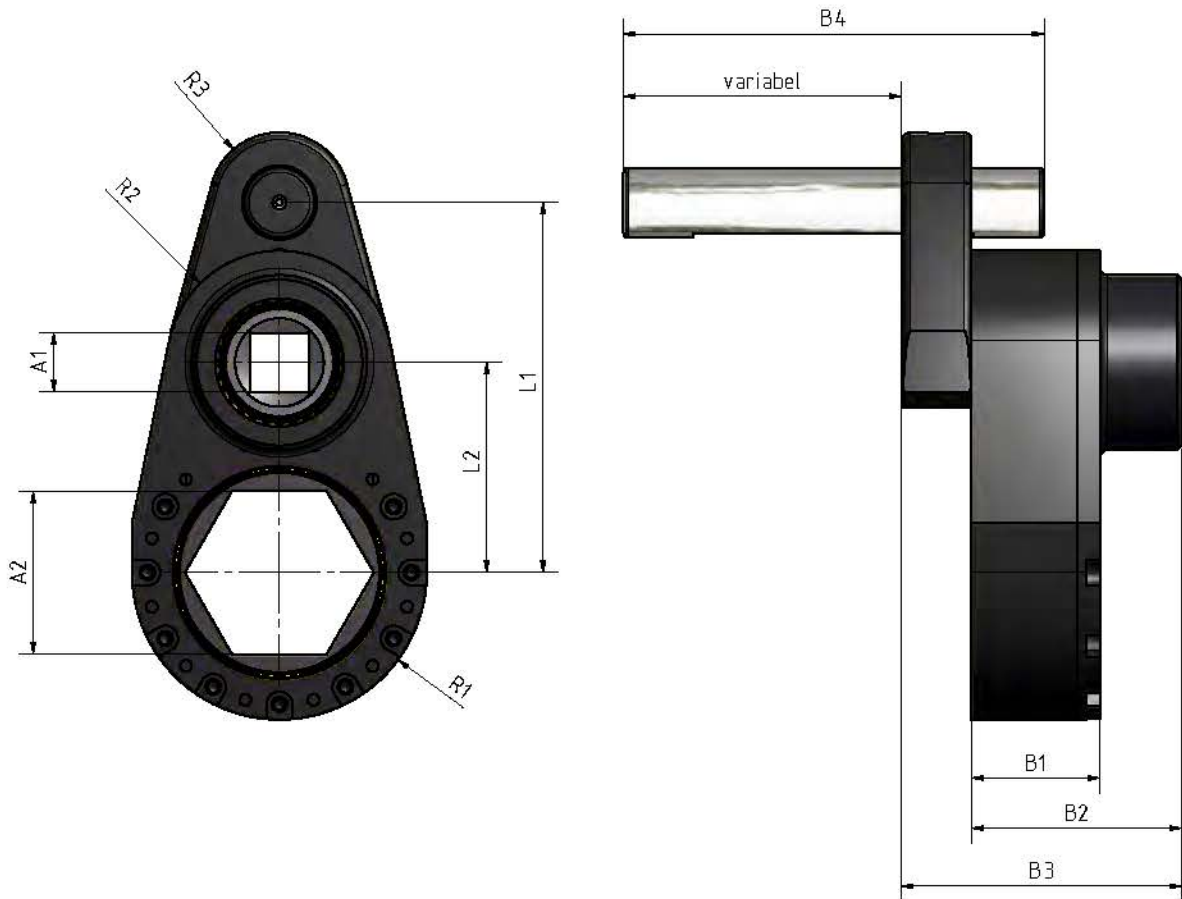
The benefits at a glance:



The JUWEL SAT side drive makes it possible to pass through long gear spindles and is suitable for axis-offset screwing and screwing in locations that are difficult to access. A flat and light-weight build of high-performance aluminium is suitable for secure screwing even in narrow spaces. The Juwel SAT side drives are preferably used when clamping and disassembling plate heat exchangers. The JUWEL SAT side drives can be operated either with our electrical or pneumatic power screwdrivers.



Technical data



TYP/TYPER	SAT-80	SAT-60	SAT-30
A1	1,5"	1"-1,5"	1"
A2	SW 80-60	SW 70-55	SW 41-30
B1 (mm)	60	55	45
B2 (mm)	95	90	80
B3 (mm)	125	120	105
B4 (mm)	180	180	150
L1 (mm)	210	175	150
L2 (mm)	125	100	85
R1 (mm)	80-60	70-55	50-40
R2 (mm)	55	48	45
R3 (mm)	30	30	20