

JUWEL twinPower TDB:

The first battery- and mains-powered torque wrench

Torque rotating angle & data reading function via high-performance interface

Mains operation for continuous readiness for use

Wear-free brushless high-performance motor

Handle can be freely turned by 360°

Torque range up to 12.000 Nm

Battery operation for unlimited freedom of movement

Lithium ion technology for long service life and unbeatable battery runtime

The benefits at a glance:

Your benefit:

- no downtimes
- no external charger necessary
- no second rechargeable battery required

The JUWEL twinPower will enable you to work quickly, comfortably and with high performance. At the same time, however, you will be working as securely and precisely as with a wrench operated with alternating voltage.

The basis of the new device is a high-performance 36V 3.5 battery-powered screwdriver drive with a robust and solid industrial quality.

The first combined rechargeable battery/ electrical torque wrench in the world with microprocessor-controlled deactivation electronics for torque rotating angle procedure including bolting documentation.



To charge, simply plug in the mains cable and continue working in mains operation. The rechargeable battery is charged in the meantime using the integrated charger.

The current charge condition can be called at any time via the battery capacity display. If the rechargeable battery is empty, the red warning lamp indicates that charge is required.

The digital interface can be operated intuitively and offers comprehensive control functions:

- User administration
- Target torque settings
- Target rotating angle settings } combined
- Project programming



JUWEL TQS: Compact power

The benefits at a glance:

Brushless PowerDrive motor with 30% higher efficiency

Motor and electronics are completely dust-protected.

4-gear full metal gear

Electronic torque setting

Li-ion rechargeable battery with SafetyCell Technology.

Newly developed narrow gear body

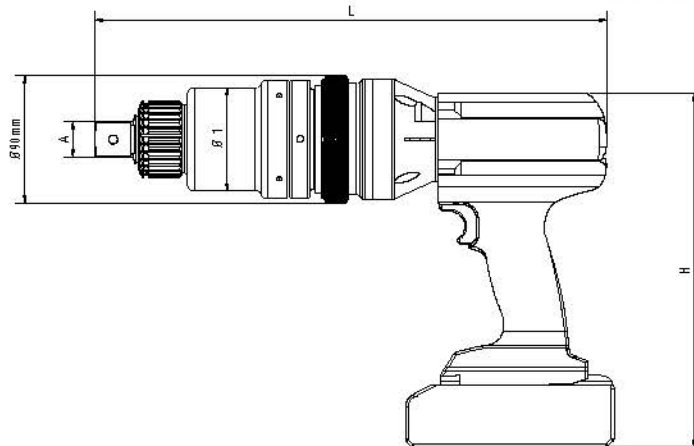
Finely graduated placement of the reaction arm

Aluminium support for weight reduction and higher operating comfort

Details



Technical data



Type		035	065	095	130	250	300
Specified area		25-350 Nm	25-650 Nm	15-950 Nm	25-1.300 Nm	50-2.500 Nm	50-3.000 Nm
Rotational speed 1-gear		18 U/min	10 U/min	3,5 U/min	5 U/min	1,5 U/min	1,2 U/min
Rotational speed 2-gear		36 U/min	22 U/min	7,5 U/min	9,5 U/min	3 U/min	2,5 U/min
Rotational speed 3-gear		80 U/min	45 U/min	15 U/min	22 U/min	6,5 U/min	6 U/min
Rotational speed 4-gear		150 U/min	90 U/min	30 U/min	42 U/min	13 U/min	12 U/min
Length	mm	315	380	390	380	410	410
Height	mm	250	250	250	250	250	250
Width (Main engine)	mm	80	80	80	80	80	80
Diameter interlock	mm	90	90	90	90	90	90
Diameter gearbox	mm	85	75	75	75	88	99
Tool drive	Zoll	1/2"	3/4"	3/4"-1"	1"	1"	1"
Weight without support		5,25 kg	6,25 kg	7 kg	7,5 kg	8,2 kg	9,2 kg